

**Part Number: PT769-07060**

**Kit Contents**

Item #	Quantity Reqd.	Description
1	1	Front Passenger Side Mudguard
2	1	Front Driver Side Mudguard
3	1	Rear Passenger Side Mudguard
4	1	Rear Driver Side Mudguard
5	1	Hardware Kit
6	1	Instruction Sheet

**Hardware Bag Contents**

Item #	Quantity Reqd.	Description
1	2	#14 x 19 mm Screws
2	2	#10 x 19 mm Screws
3	4	#10 x 13 mm Screws
4	4	#10 Spring Clips (Small)
5	2	#10 Spring Clips (Large)

**Additional Items Required For Installation**

Item #	Quantity Reqd.	Description
1		
2		

**Conflicts**

Note: Ground Effects
----------------------

**Recommended Tools**

<b>Personal &amp; Vehicle Protection</b>	<b>Notes</b>
None	
<b>Special Tools</b>	<b>Notes</b>
None	
<b>Installation Tools</b>	<b>Notes</b>
Screwdriver	Phillips #2 & #3
Drill	
Drill Bit	6 mm (1/4")
Clean Cloth/Rag	
Ratchet	
Socket	10 mm
<b>Special Chemicals</b>	<b>Notes</b>
Cleaner	3M™ Prep Solvent-70

**General Applicability**

All Vehicles
--------------

**NOTE:** Part number of this accessory may not be the same as the part number shown.

**Recommended Sequence of Application**

Item #	Accessory
1	
2	
3	

\*Mandatory

**Vehicle Service Parts** (may be required for reassembly)

Item #	Quantity Reqd.	Description
1		
2		
3		

**Legend**



**STOP:** Damage to the vehicle may occur. Do not proceed until process has been complied with.



**OPERATOR SAFETY:** Use caution to avoid risk of injury.



**CAUTION:** A process that must be carefully observed in order to reduce the risk of damage to the accessory/vehicle and to ensure a quality installation.



**TOOLS & EQUIPMENT:** Used in Figures calls out the specific tools and equipment recommended for this process.

Care must be taken when installing this accessory to ensure damage does not occur to the vehicle. The installation of this accessory should follow approved guidelines to ensure a quality installation.

These guidelines can be found in the "Accessory Installation Practices" document.

This document covers such items as:-

- Vehicle Protection (use of covers and blankets, cleaning chemicals, etc.).
- Safety (eye protection, rechecking torque procedure, etc.).
- Vehicle Disassembly/Reassembly (panel removal, part storage, etc.).
- Electrical Component Disassembly/Reassembly (battery disconnection, connector removal, etc.).

Please see your Toyota dealer for a copy of this document.

**1. Clean Front Mounting Area**



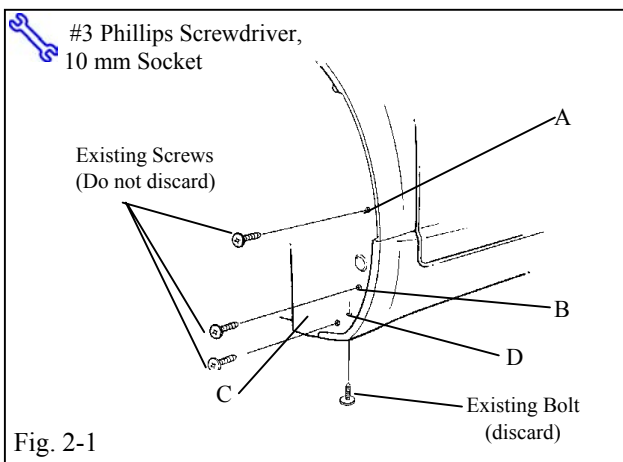
- (a) Clean and degrease front body panel where mudguard is to be located with a clean, dry lint free cloth after use of 3M™ prep solvent – 70.

- (1) When cleaning with 3M™ Prep solvent-70 follow the manufacturer’s directions. Do not allow cleaner to air dry.

**2. Identification of Front Mount Holes**



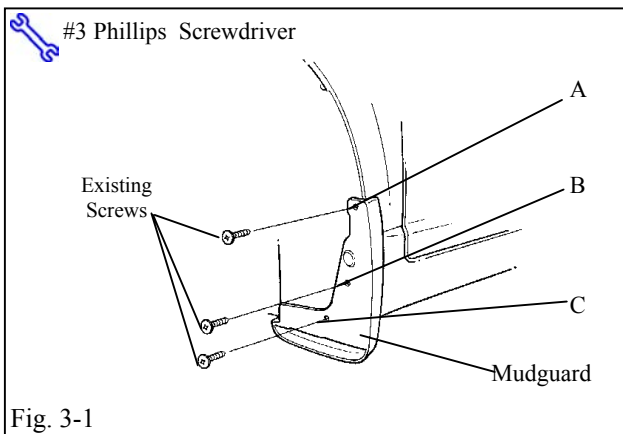
- (a) Identify existing mount holes A, B, C and D. (Fig.2-1)
- (b) Remove existing screws in locations A, B and C. Do not discard. (Fig 2-1)
- (c) Remove existing bolt in location D. Discard bolt. (Fig 2-1)

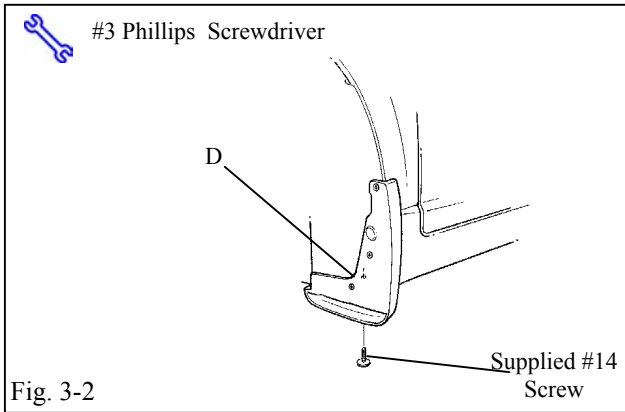


**3. Installation of Front Mudguard**



- (a) Mount mudguard on body panel and reinstall existing screws in location A, B and C, while holding part tight against body. (Fig. 3-1)





(b) Install supplied #14 screw in location D while holding part tight against body. (Fig. 3-2)

(c) Repeat procedure for other side.

#### 4. Clean Rear Mounting Area



(a) Clean and degrease rear body panel where mudguard is to be located with a clean, dry lint free cloth after use of 3M™ Prep Solvent –70.

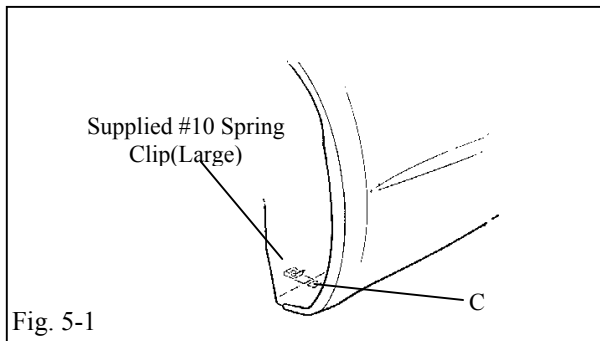
(1) When cleaning with 3M™ Prep Solvent-70 follow the manufacturer's directions. Do not allow cleaner to air dry.

#### 5. Identification of Rear Mount Hole



(a) Identify existing mount hole C. (Fig.5-1)

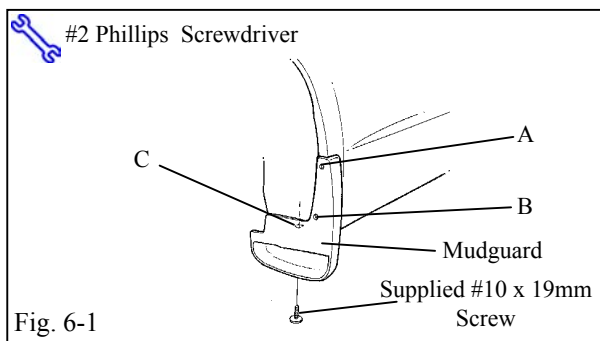
(b) Install supplied spring clip (large) with turn up edge on inside of bumper body panel at location C. (Fig 5-1)

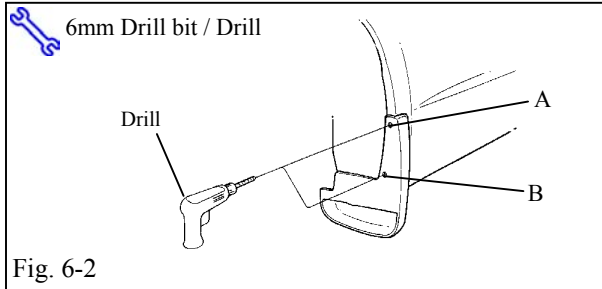


#### 6. Installation of Rear Mudguard

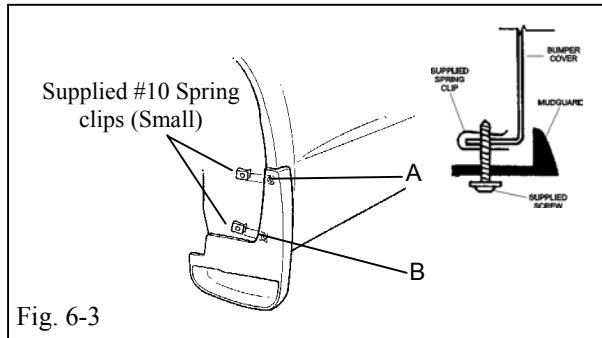


(a) Mount mudguard on body panel and install supplied #10 x 19 mm screw location C, while holding part tight against body panel. (Fig. 6-1).

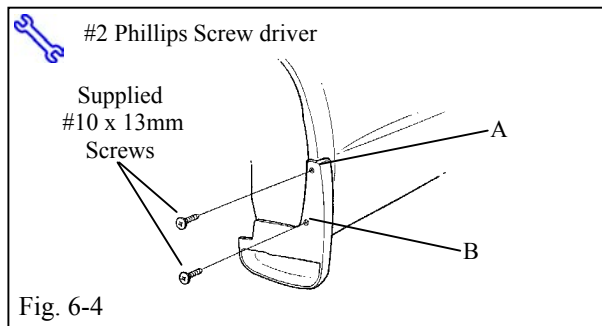




**STOP** (b) Using the part as a template, drill 6mm holes in locations A and B while holding part tight against body. (Fig. 6-2)



(c) Install supplied spring clips (small) with turned up edge on inside of bumper body panel at locations A and B. (Fig. 6-3)



**STOP** (d) While holding part at locations A and B tightly against body, install supplied #10 x 13mm screws in locations A and B. (Fig. 6-4)

(e) Repeat procedure for other side.

**TOYOTA AVALON 2005 - MUDGUARDS**

Checklist - these points **MUST** be checked to ensure a quality installation.

Check:

Look For:

Gaps between mudguards and body side

Excessive gaps greater than 1.0 mm.